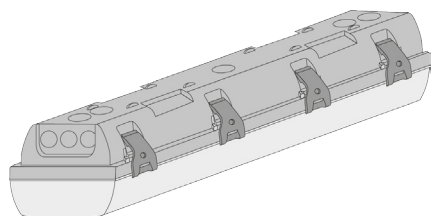


# Mounting Instructions - OLEVEON LED



## Safety notes

These instructions assume expert knowledge corresponding to a completed professional education as an electrician.

- Never work when voltage is present on the luminaire. **WARNING - Risk of electric shock!!**
- **Attention! Do not touch the LEDs**, this avoids ESD damage.
- LED module **risk group 0**; in case of malfunctions with the LED module, please contact Light Culture.
- Luminaire type plates have the **D** designation and are suitable for installation in work locations at risk of fire from dust or fibres.



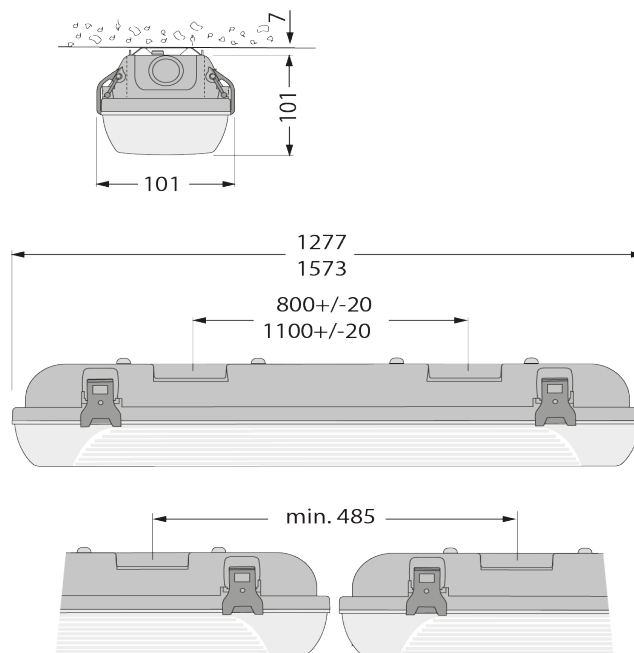
## Important information regarding electronic control gear (ECG)

- Interference to the neutral conductor in a three-phase system may result in surge-related damage in the lighting installation. Only open neutral conductor-disconnect terminal when disconnected from power supply and close prior to switching back on.
- The maximum admissible ambient temperature  $t_a$  of the luminaire may not be exceeded. Surpassing that temperature reduces the service life and, in extreme cases, poses risk of early failure.
- Use mains cables for control inputs of dimmable ECG (1...10V, DALI, etc.) which are rated for 230V.

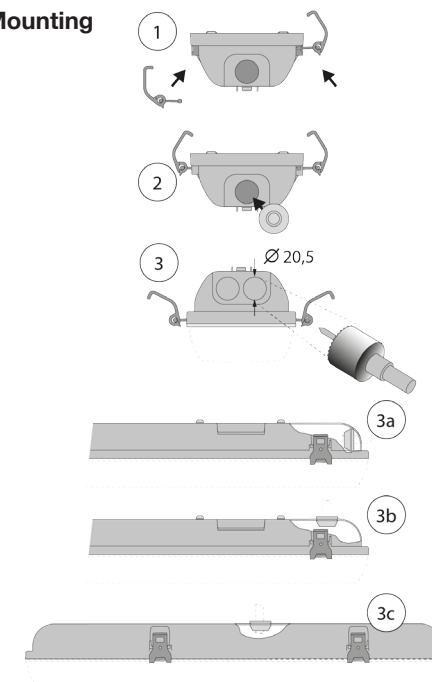
## Intended use

Coverings for outdoor applications must protect the luminaire from direct weather effects and exposure to the sun. The luminaire is **unsuitable** for corrosive atmospheres (e.g. swimming pools, intensive animal husbandry, tunnels).

Type	ca. kg
Oleveon Plus 1200 LED3000-840 ...	2.1
Oleveon Plus 1200 LED4250-840 ...	2.1
Oleveon-2 Plus 1200 LED5900-840 ...	2.1
Oleveon-2 Plus 1200 LED8300-840 ...	2.1
Oleveon Basic 1200 LED2650-840 ...	2.1
Oleveon Basic 1200 LED3700-840 ...	2.1
Oleveon-2 Basic 1200 LED5350-840 ...	2.1
Oleveon-2 Basic 1200 LED7550-840 ...	2.1

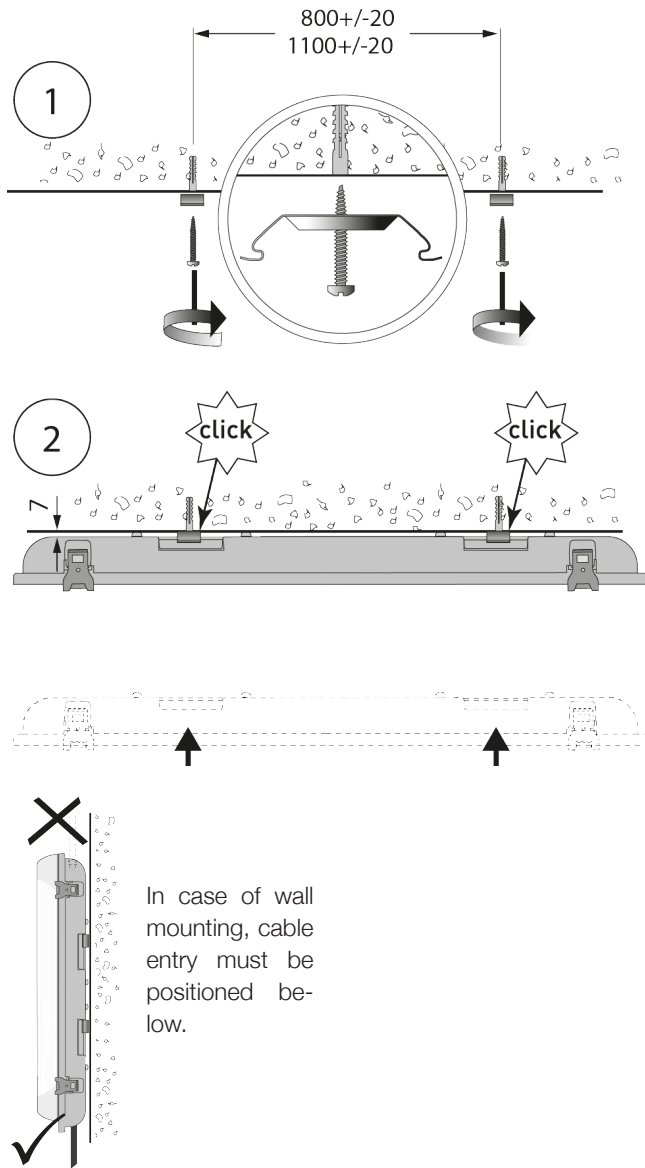


## Mounting

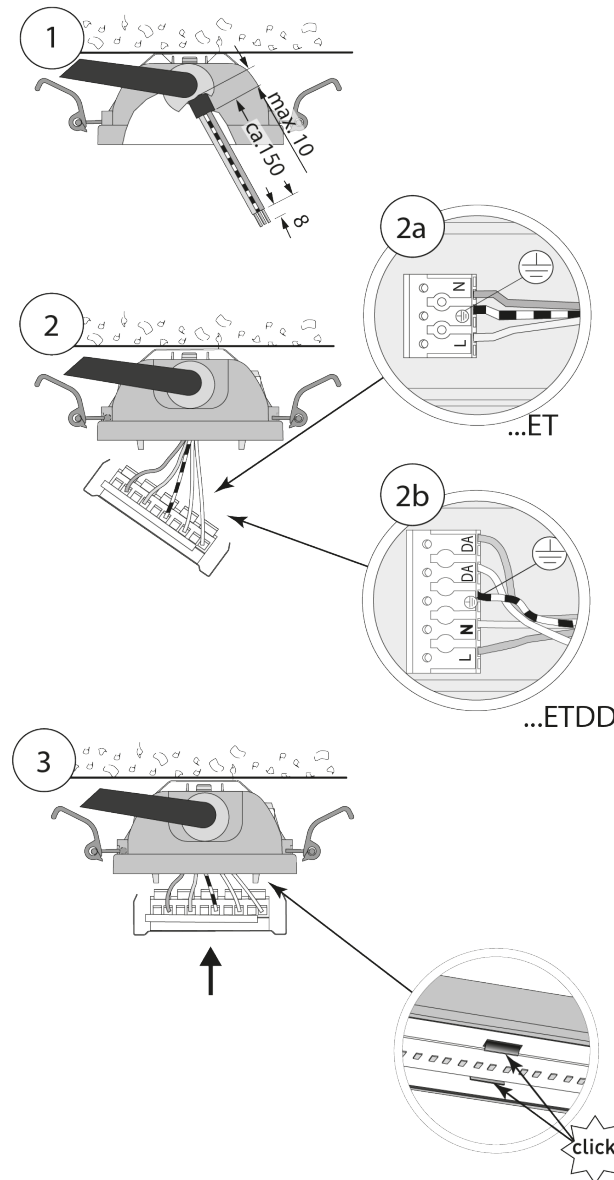


# Mounting Instructions - OLEVEON LED

## Ceiling-mounting



## Electrical connection



## Insert the vat

